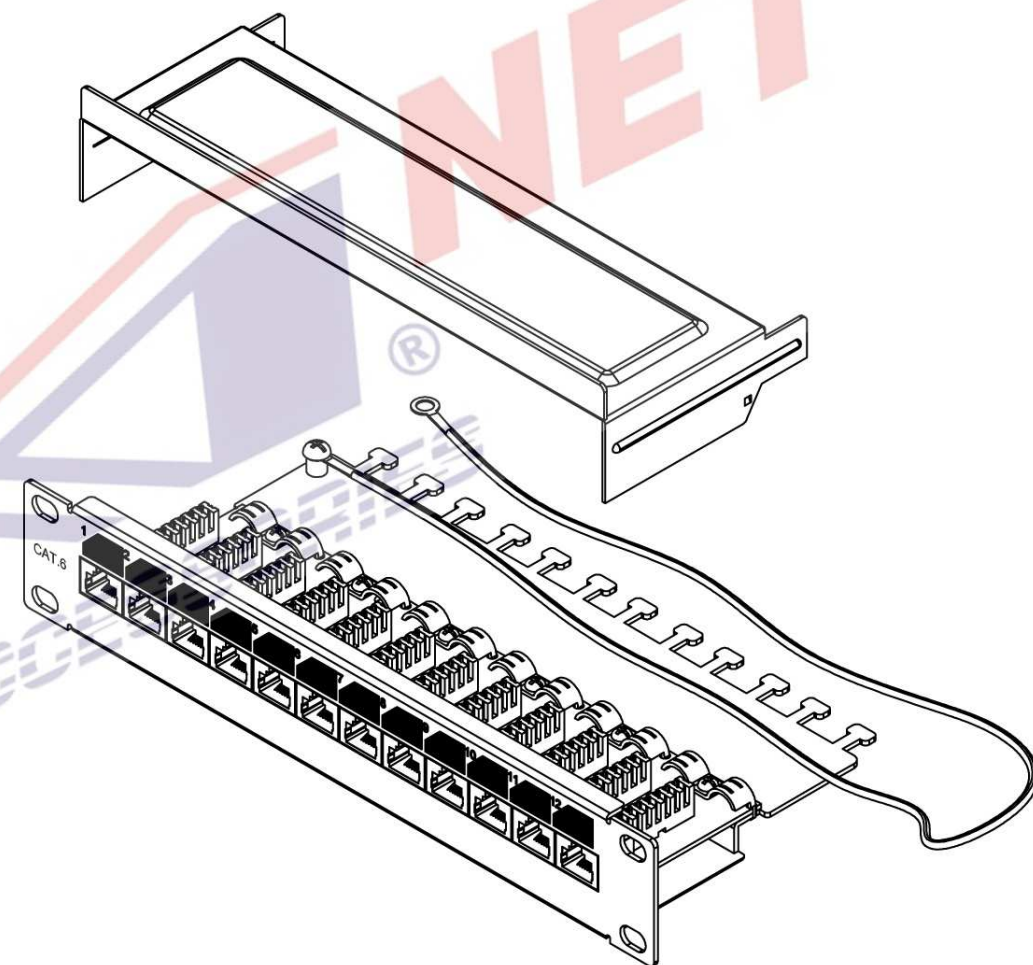
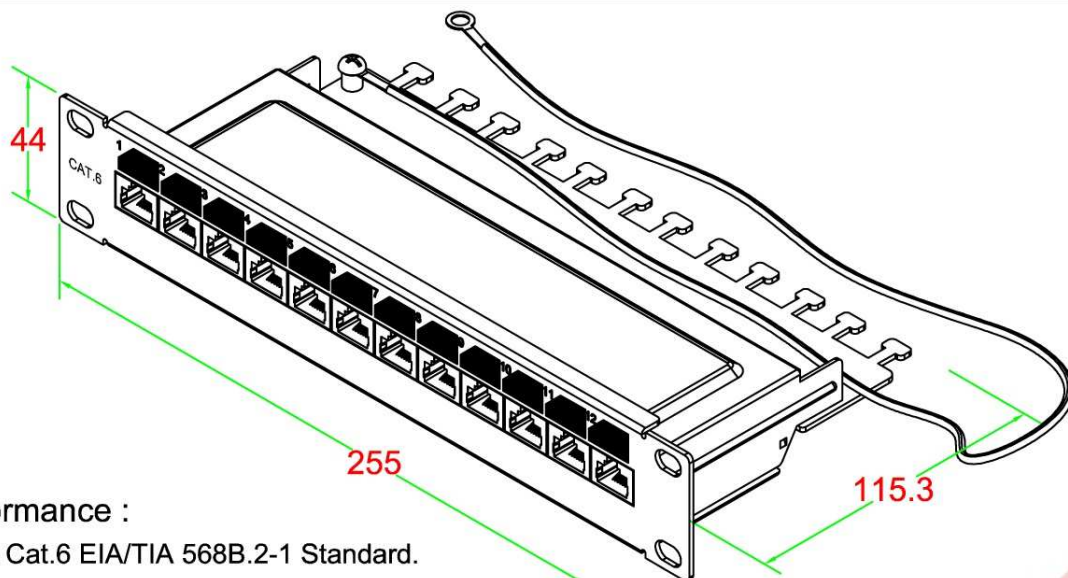


Cat.6 12Ports 10inches Vertical Patch Panel (FTP) / Dual Type



Performance :

Meets Cat.6 EIA/TIA 568B.2-1 Standard.

Materials:

- Bottom Panel : Metallic Panel (SECC)
- Upper Panel Cover : 1.2mm thickness Aluminum
- RJ-45 Jack : Housing-PBT / FTP 8P8C 50 micro inches gold plated /
- PCB : FR-4 / 1.6mm UL-94V0
- IDC Body : Fireproof ABS UL-94V0
- IDC Pin : Bronze & Tinned
- Label Color Code : T568 A/B
- IDC Description : For 22-26 AWG.
For 110 or Krone punch-down Tool

Electrical Specifications :

- Insulation Resistance : 500M ohms (min.)
- Contact Resistance : 20m ohms (max.)
- Current Rating : 1.5 Amps .
- DC Resistance : 0.1 ohm (max.)
- Withstanding Voltage : 1000 VAC RMS @ 60Hz / 1 min.

Mechanical Specifications:

- IDC Punch Down Cycle : Over 25 Cycles (min.)
- RJ-45 Jack Insertion Cycle : Over 2000 Cycles (min.)
- Operation Temperature : -40 ~ +70 degree / C

DRAW NO:	10-02-88/2011	ITEM NO:	PATCHP1U12P6F-EX
	APPR	CUSTOMER:	LEXI-NET
UNIT:	m/m	DATE:	6. APRIL 2011
SCALE:	DESIGN	TOLERANCE:	· ± 1 · X ± 0.2 · XX ± 0.15