

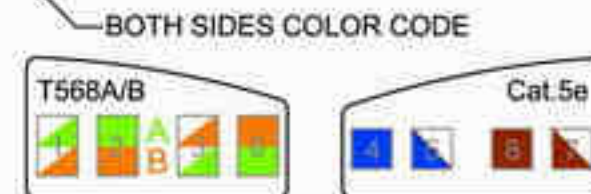
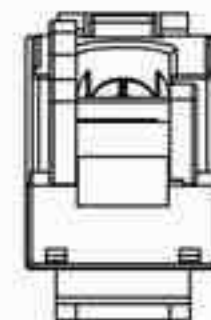
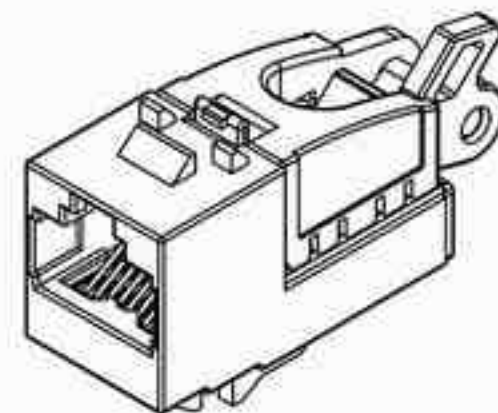
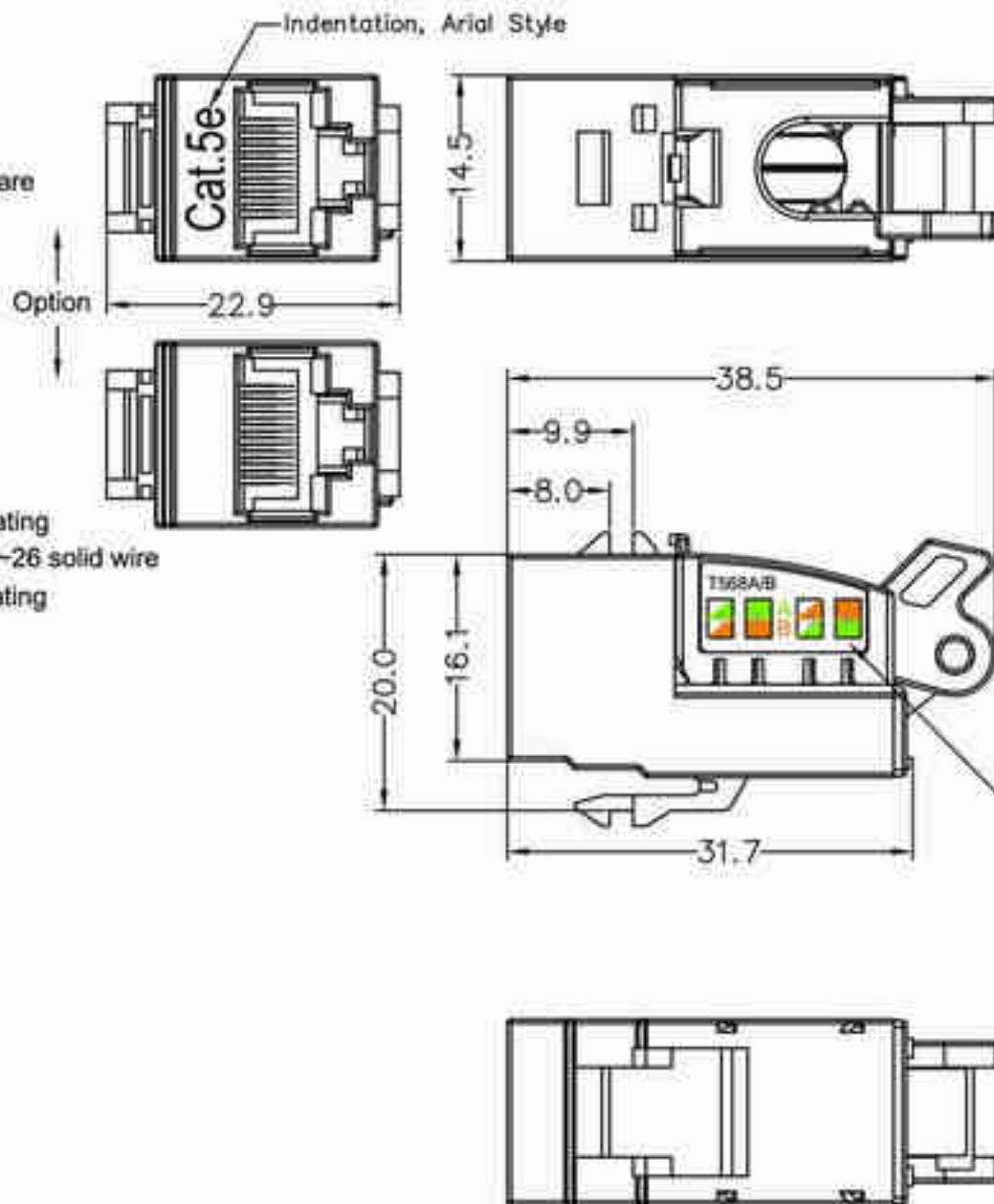
REV.	REVISIONS	DATE	BY
A	CR06037	10/26/2005	Tom
B	CR07061	06/28/2006	Tom
C	CR07087	08/23/2007	Tom

**Specification:**

TIA/EIA 568-B.2 Cat.5e  
 ISO/IEC 11801 2nd Class D Connecting Hardware  
 EN 50173-1  
 IEC 60603-7-2

**Physicals**

Housing : PC,UL94V-0  
 PCB MODULE  
 Insertion : PBT UL94V-0  
 Contact : Ø 0.46 mm Phosphor Bronze  
 30 Micro inchs gold over nickel plating  
 IDC termination for cable : Accept AWG 23-26 solid wire  
 Terminal : 0.4 mm Phosphor Bronze tin plating  
 IDC Holder : PC,94V-0  
 PCB : FR4 1.0mm Thickness  
 Cap : PC,UL94V-0



TOLERANCE		SCALE	SHEET	DRAWN BY	DATE	TITLE	
X	±0.30	D	1 OF 1	Tom	10/23/2007	CAT.5e UTP TOOLLESS KEYSTONE JACK	
.XX	±0.20	D		Peter	10/23/2007		
ANGLES	±0.50°	MATERIAL		THIRD ANGLE PROJECTION		PART NO.	DWG. NO.
						TA8758UT-XX	R504102

