

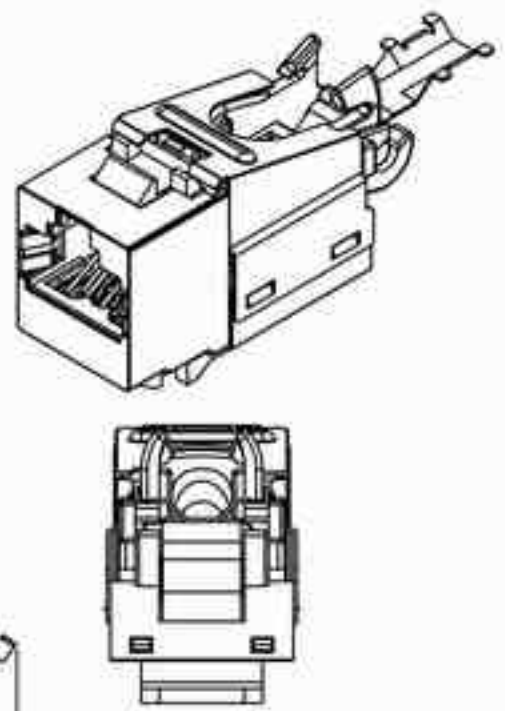
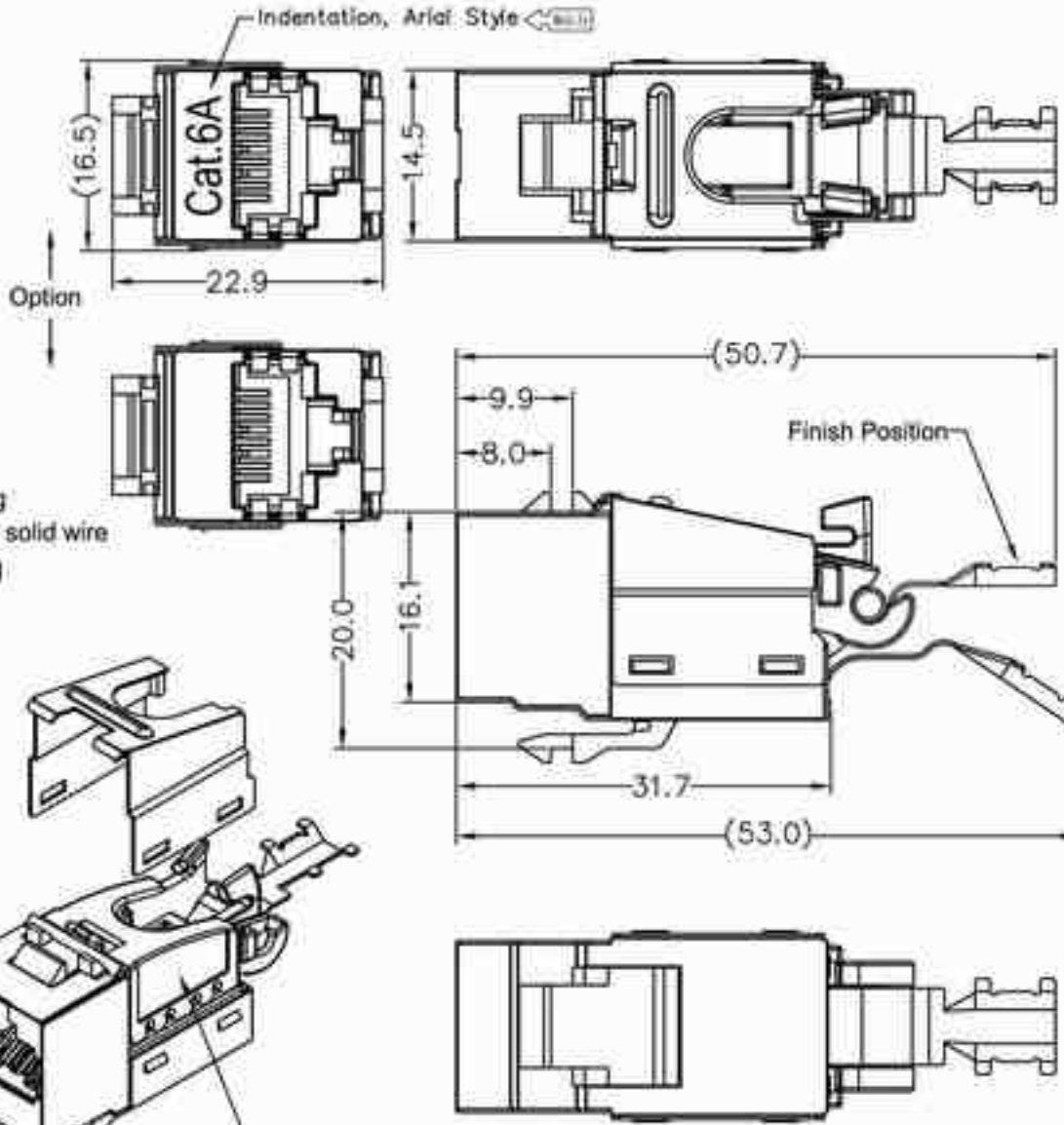
REV.	REVISIONS	DATE	BY
A	CR07002	01/03/2007	Tom
B	CR07061	01/09/2007	Tom

**Specification:**

Qualified Cat.6A / Class E<sub>A</sub> (10G/500MHz)  
 TIA/EIA-568-B.2-10 draft 3  
 ISO/IEC 11801 2nd Edition, EN 50173 2nd Edition  
 IEC 60603-7

**Physicals**

Housing : PC,UL94V-0  
 PCB MODULE  
 Insertion : PBT UL94V-0  
 Contact : Ø 0.46 mm Phosphor Bronze  
 30 Micro inches gold over nickel plating  
 IDC termination for cable : Accept AWG 23-26 solid wire  
 Terminal : 0.4 mm Phosphor Bronze tin plating  
 IDC Holder : PC,94V-0  
 PCB : FR4 1.0mm Thickness  
 Cap : PC,UL94V-0  
 SHIELD CAP : SPTe 0.30mm Thickness  
 SHIELD BASE : SPTe 0.30mm Thickness



BOTH SIDE COLOR CODE LABEL



TOLERANCE		SCALE	SHEET	DRAWN BY	DATE	TITLE
X	±0.30	1:1	1 OF 1	Tom	08/31/2007	
XX	±0.20	REV. C		Checked by Peter	08/31/2007	<b>CAT.6A</b> <b>STP TOOLLESS KEYSTONE JACK</b>
ANGLES	±0.50°	MATERIAL		THIRD ANGLE PROJECTION		
				PART NO.	DWG. NO.	
				TA876AST-XX	R504111	

