

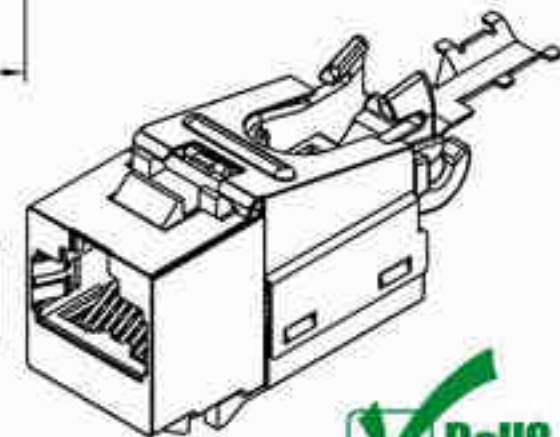
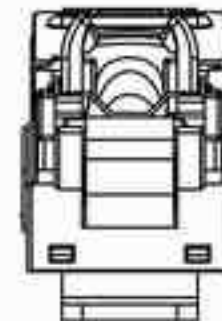
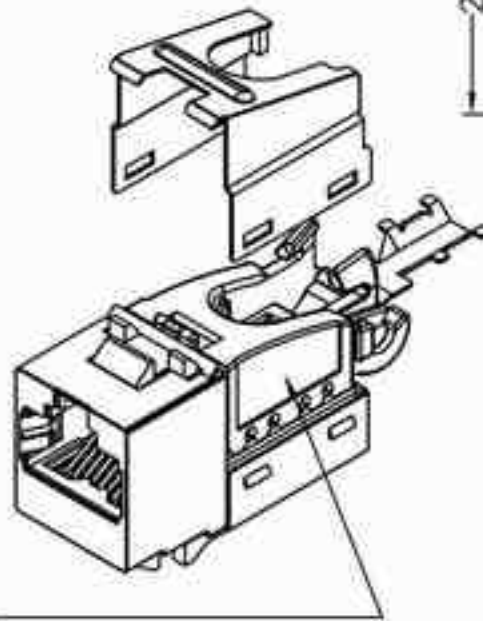
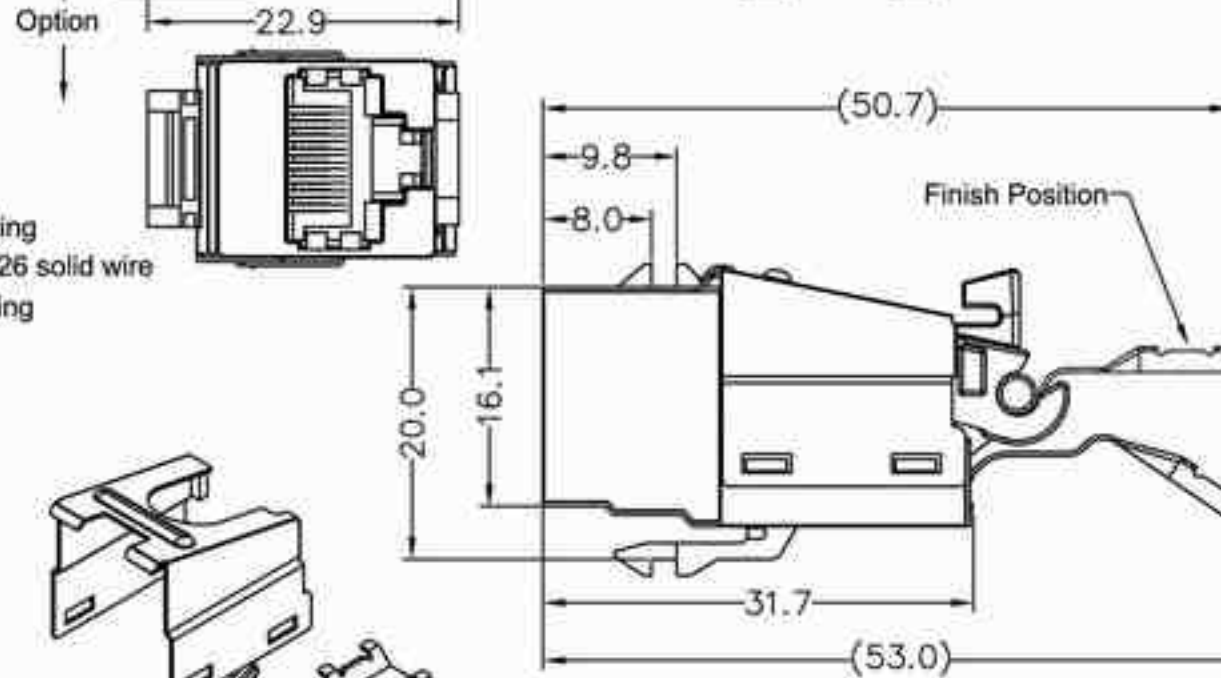
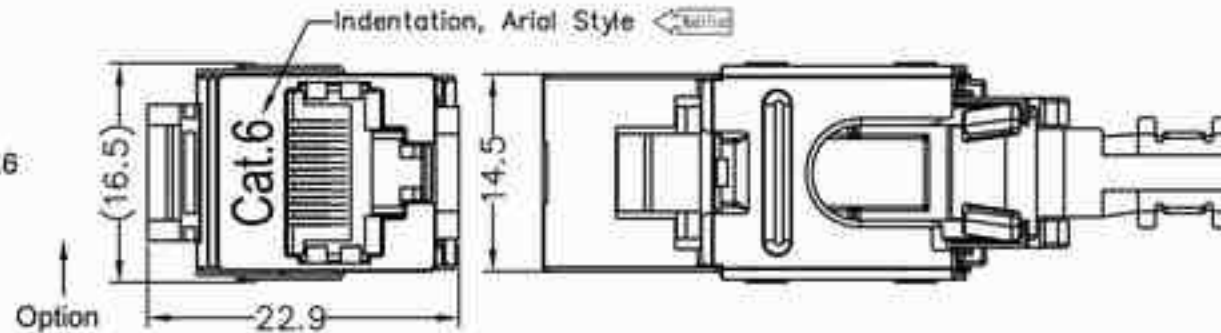
REV.	REVISIONS	DATE	BY
A	CR06037	01/16/2006	Tom
B	CR07061	06/28/2006	Tom

**Specification:**

Qualified Cat.6/CLASS E  
 Permanent Link/Channel of TIA/EIA568B-2.1 Cat.6  
 ISO/IEC 11801 2nd Edition  
 EN 50173 2nd Edition  
 IEC 60603-7

**Physicals**

Housing : PC,UL94V-0  
 PCB MODULE  
 Insertion : PBT UL94V-0  
 Contact : Ø 0.46 mm Phosphor Bronze  
 30 Micro inchs gold over nickel plating  
 IDC termination for cable : Accept AWG 23~26 solid wire  
 Terminal : 0.4 mm Phosphor Bronze tin plating  
 IDC Holder : PC,94V-0  
 PCB : FR4 1.0mm Thickness  
 Cap : PC,UL94V-0  
 SHIELD CAP : SPTe 0.30mm Thickness  
 SHIELD BASE : SPTe 0.30mm Thickness



BOTH SIDES COLOR CODE LABEL



TOLERANCE	SCALE	SHEET	DRAWN BY	DATE	TITLE
X	X	1 OF 1	Tom	08/23/2007	CAT.6 STP TOOLLESS KEYSTONE JACK
XX	C		Peter	08/23/2007	
ANGLES	MATERIAL	THIRD ANGLE PROJECTION	PART NO.	DWG. NO.	
±0.50°			TA8768ST-XX	R504103	

