

Specification:

Faceplate: ABS, v0 (color: near RAL9010)

Holder: ABS, v0 (color: near RAL9010)

Door: ABS, v0 (color: near RAL9010)

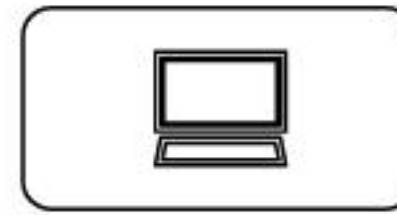
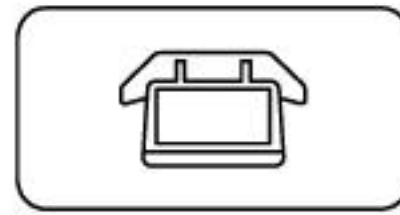
Lens: PC, v0 (color: clean)

Lable: paper

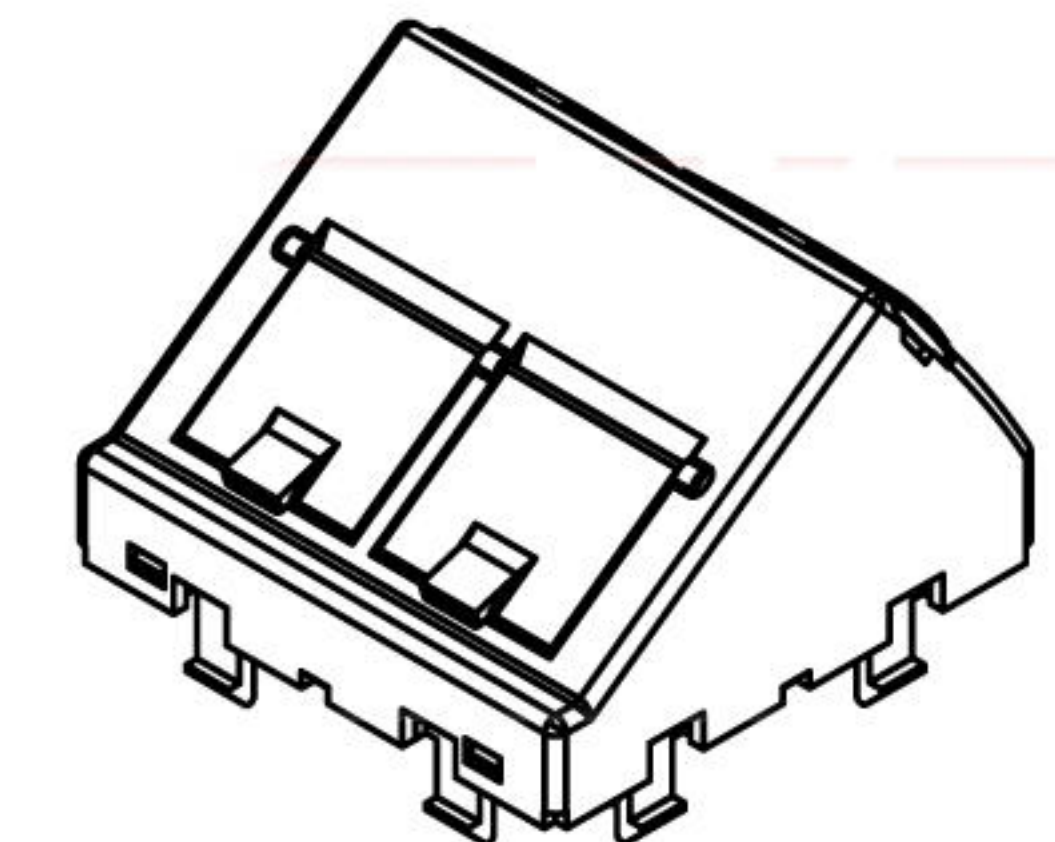
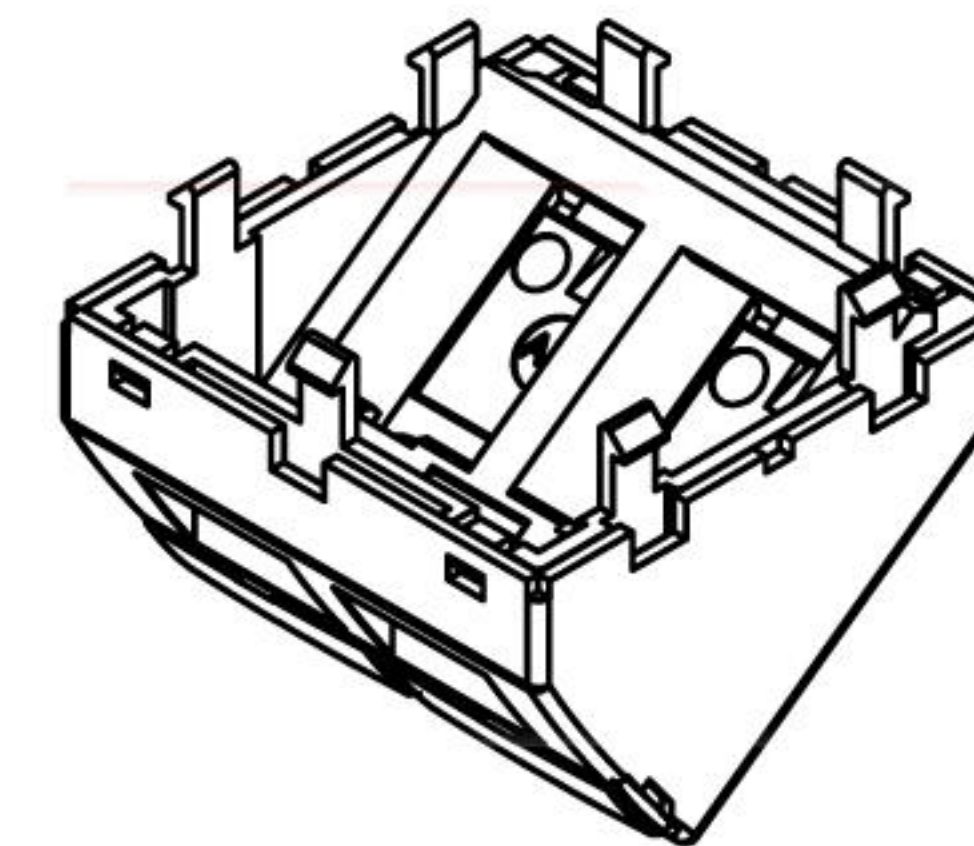
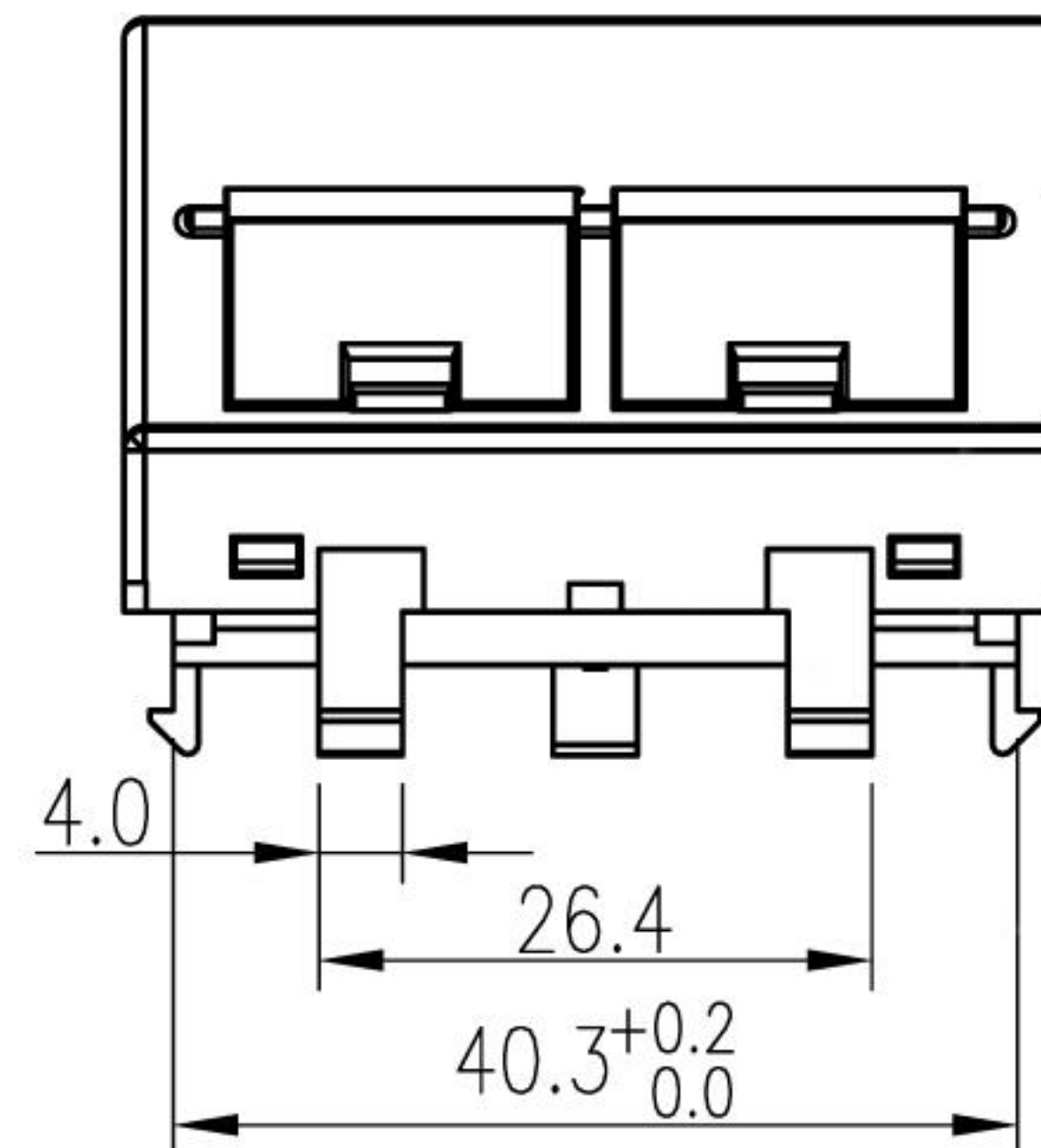
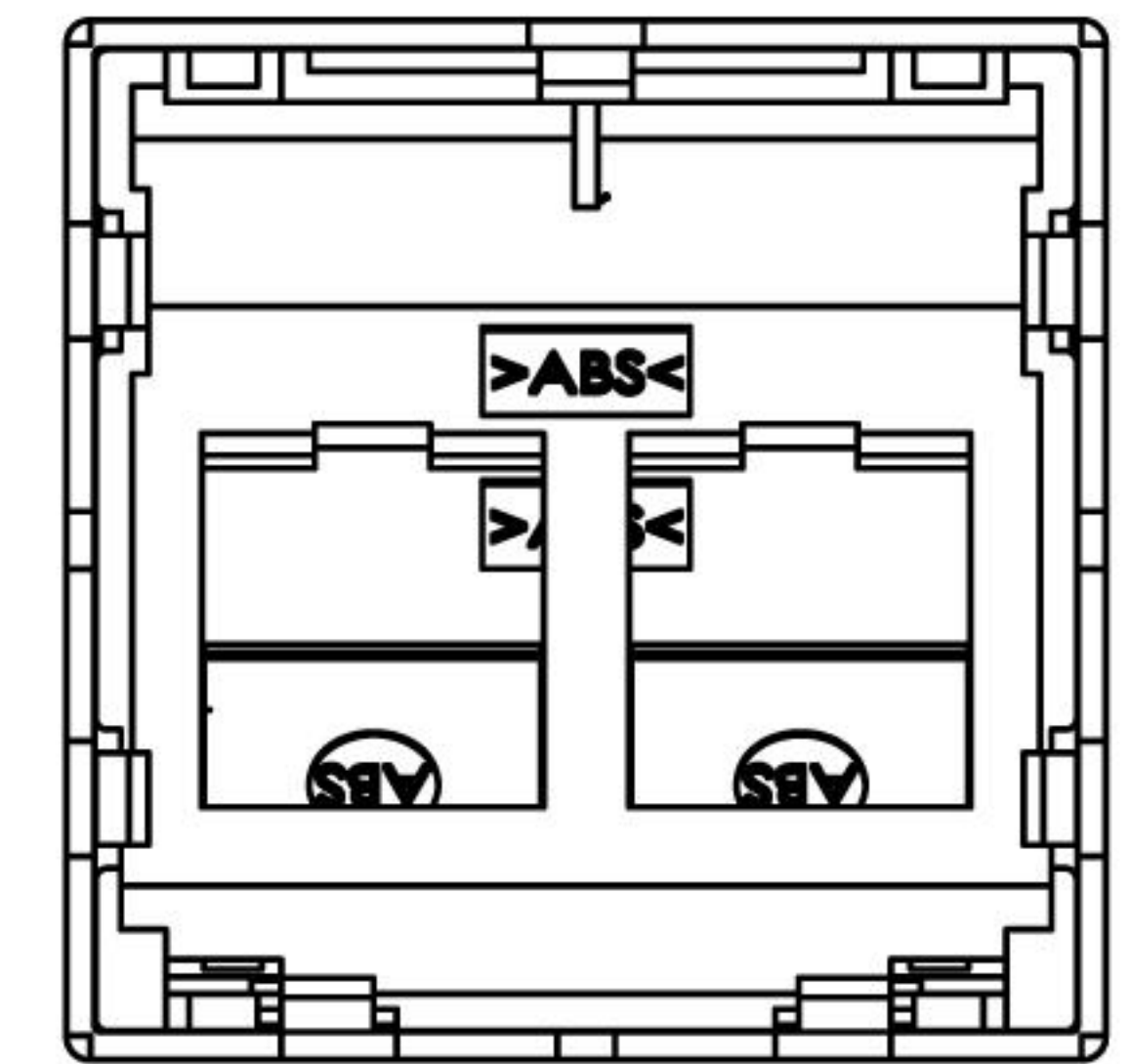
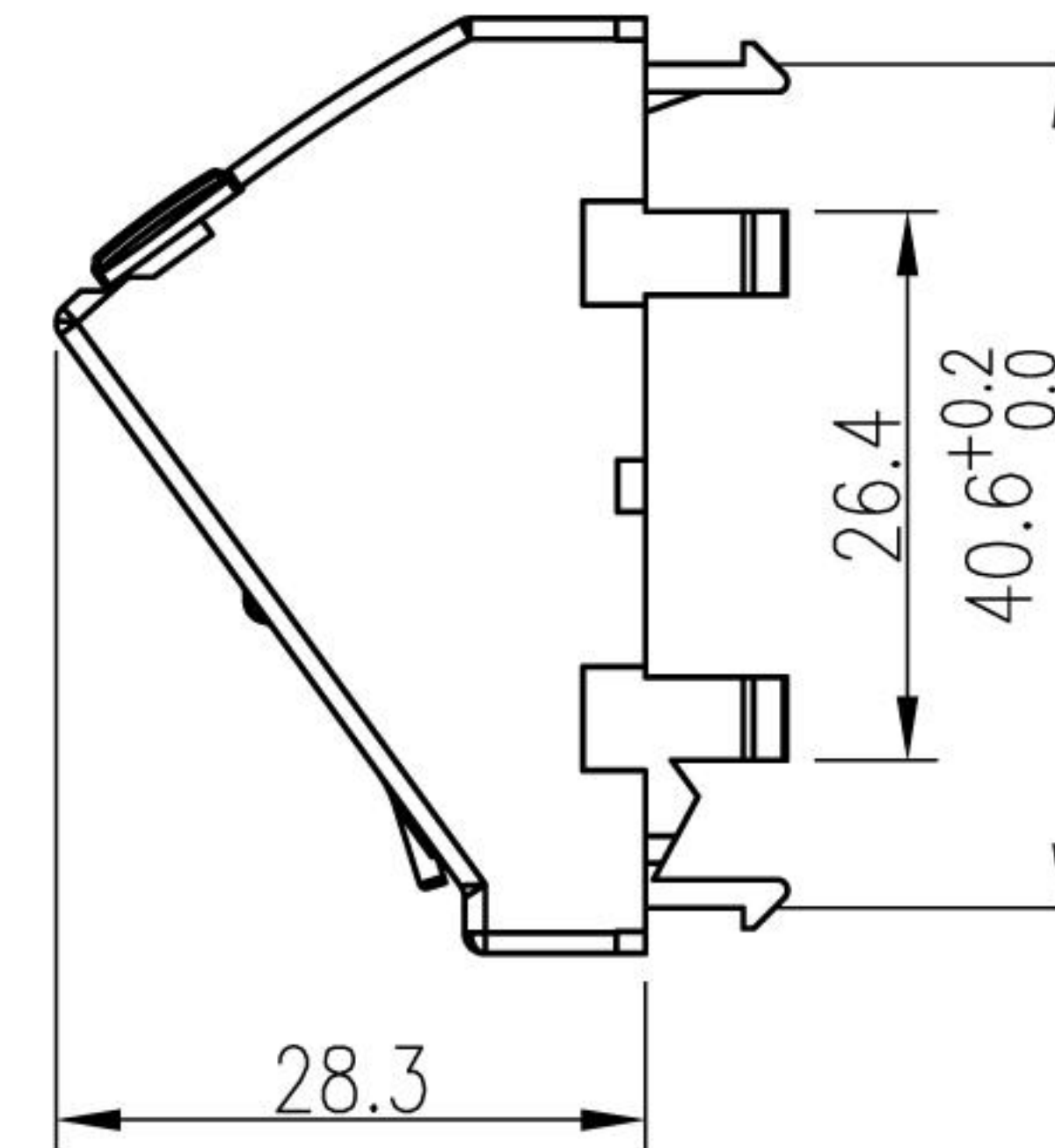
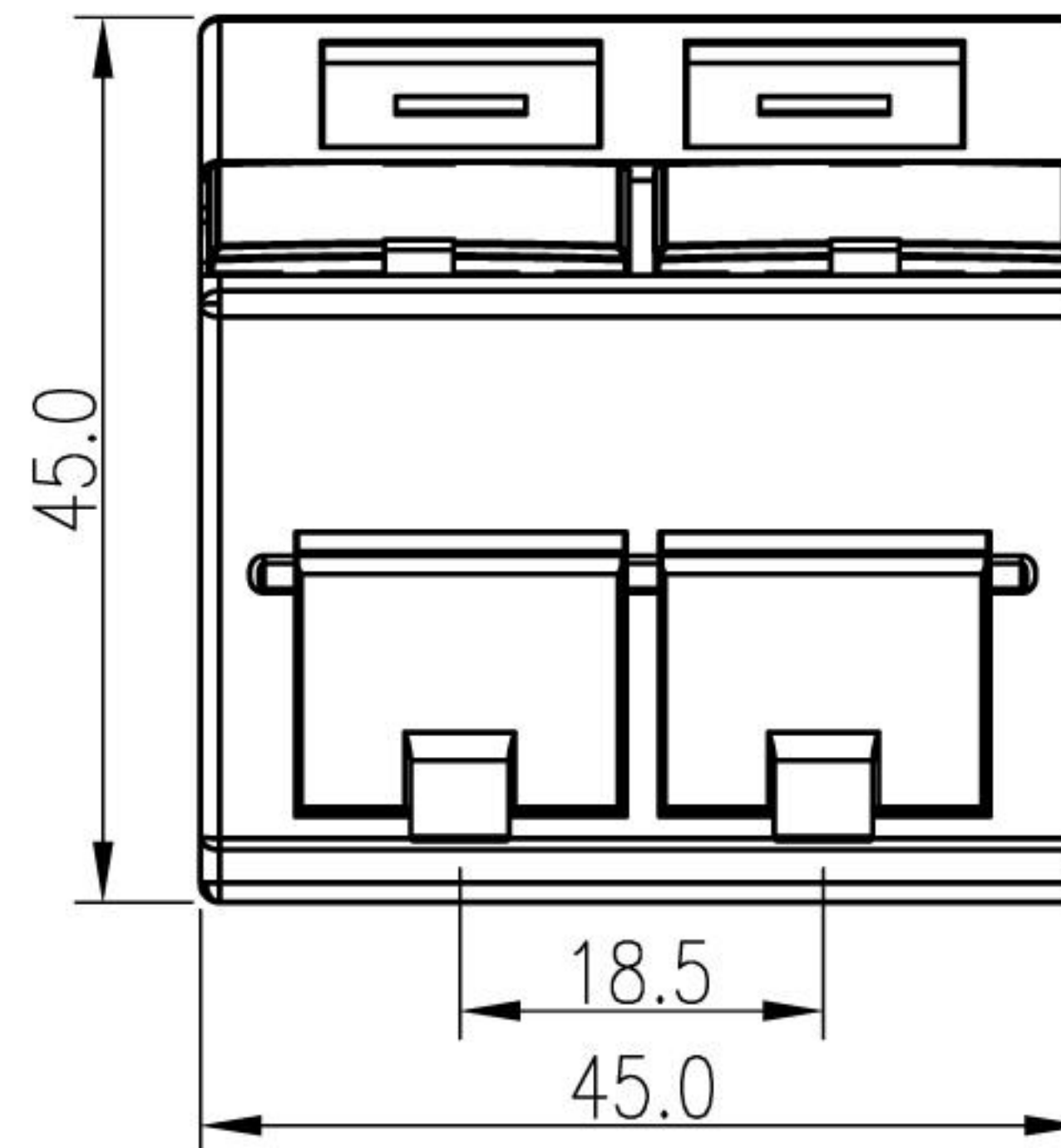
Icon: ABS, v0.

Telephone color: red

Computer color: blue



(Telephone/Computer Icon Indication)



TOLERANCE		SCALE	SHEET	DRAWN BY	DATE	TITLE	
.X	±0.25	1 : 1	1 OF 1	<i>Even</i>	2009/02/24	MODULE 45x45	
.XX		REV. A		CHECKED BY	DATE		
ANGLES		MATERIAL		THIRD ANGLE PROJECTION		PART NO. MOD45x45 2port	DWG. NO. S807102

